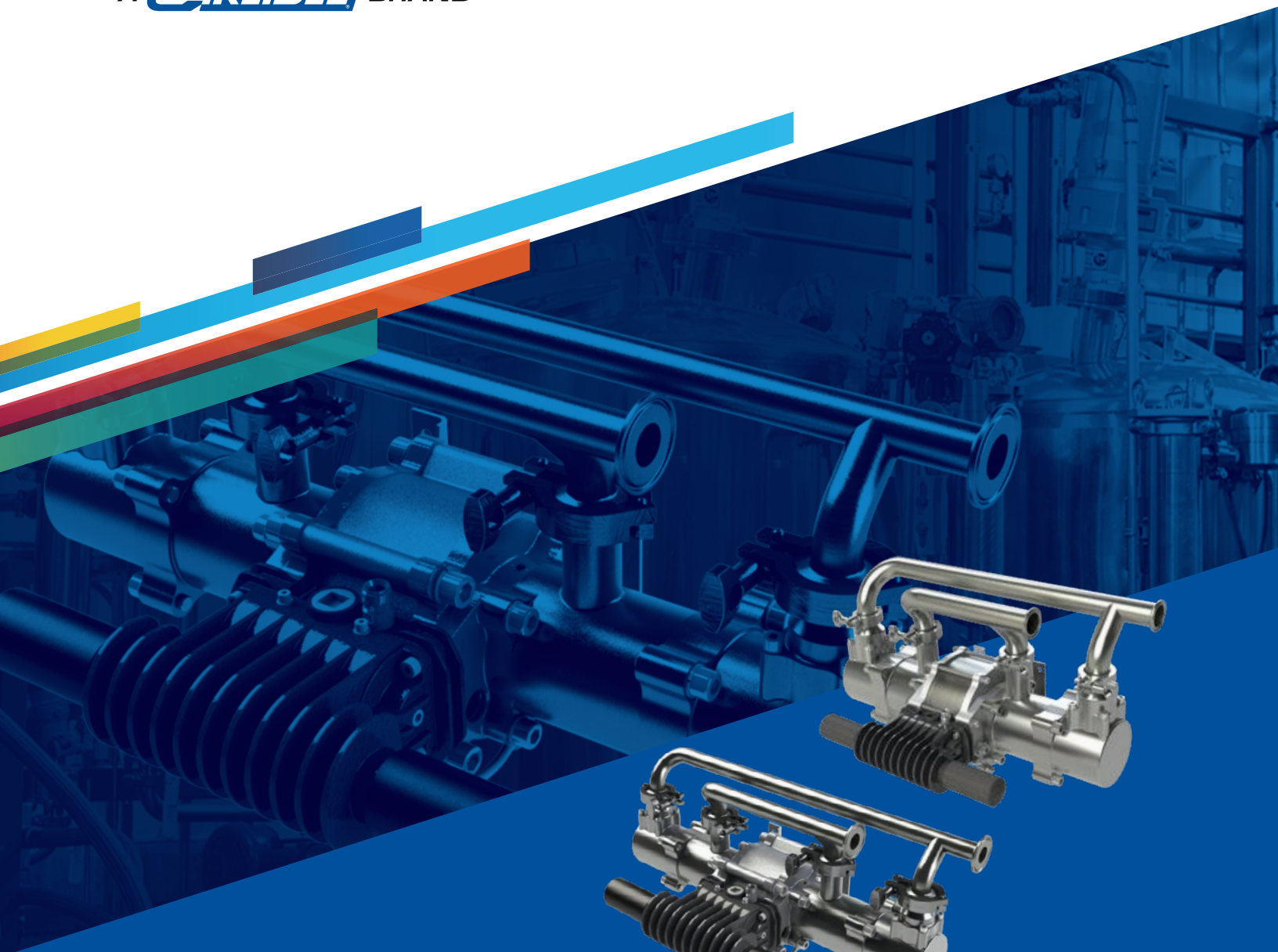


**BINKS**<sup>®</sup>  
A **CARLISLE** BRAND



**BINKS**<sup>®</sup>  
Maple Pump Series

# BINKS® Maple Pump

Less maintenance  
and less production  
downtime

## Horizontal piston pump for paint circulation & supply applications

The Maple pump series are horizontal piston pumps suited to low and medium pressure applications. The pumps combine an energy efficient air motor and a fluid section that has no exterior leaking seals. High quality materials and surface treatments ensure low maintenance costs and long operational life.

Designed to work with moisture sensitive, shear sensitive and abrasive materials, the horizontal piston arrangement provides minimal pressure fluctuations.



Maple  
15/3

Binks Maple are the Finishing Industry's best pump solution for circulation systems and among the Top Choice for Automotive OEM customers.

## BINKS MAPLE PUMP Low Pressure Circulation



Model	Maple 15/3	Maple 15/3 AFP Piggig Compatible	Maple 30/3	Maple 60/3	Maple 120/3
Ratio	3:1	3:1	3:1	3:1	3:1
Max Fluid Pressure	304.5 psi (21 Bar)				
Fluid Output @ 60 Cycles/Min	6 gal (22.5 L)	6 gal (22.5 L)	12 gal (45 L)	24 gal (90 L)	48 gal (180 L)
Max Cont' Cycle Rate	20 Cycles/Min*				
Max Inter't Cycle Rate	40 Cycles/Min*				
Fluid Connections Inlet Outlet	1" Sanitary 1" Sanitary	1" Sanitary ¾" Sanitary	1½" Sanitary 1½" Sanitary	1½" Sanitary 1½" Sanitary	2" Sanitary 2" Sanitary
Max Air Inlet Pressure	102 psi (7 Bar)				
Compressed Air Inlet	¾" BSPP / NPSM	¾" BSPP / NPSM	¾" BSPP / NPSM	½" BSPP / NPSM	¾" BSPP / NPSM
Air Volume/Cycle					
@ 45 psi (3.1 Bar)	0.17 SCFM (4.8 l/m)	0.17 SCFM (4.8 l/m)	0.33 SCFM (9.5 l/m)	0.67 SCFM (19 l/m)	1.33 SCFM (37.8 l/m)
@ 90 psi (6.2 Bar)	0.33 SCFM (9.3 l/m)	0.33 SCFM (9.3 l/m)	0.65 SCFM (40 l/m)	1.41 SCFM (18.5 l/m)	2.59 SCFM (73.2 l/m)
Weight	46 Lbs (21 kg)	55 Lbs (25 kg)	77 Lbs (35 kg)	143 Lbs (65 kg)	363 Lbs (165kg)
Typical Applications	Paint Circulation	Paint Circulation	Paint Circulation	Paint Circulation	Solvent Flush Lines

\* Refer to manual for further details

## FEATURES

### 1 Advanced air motor design:

Patented technology means lubrication free, low ice, stall free performance

### 2 Reliable operation:

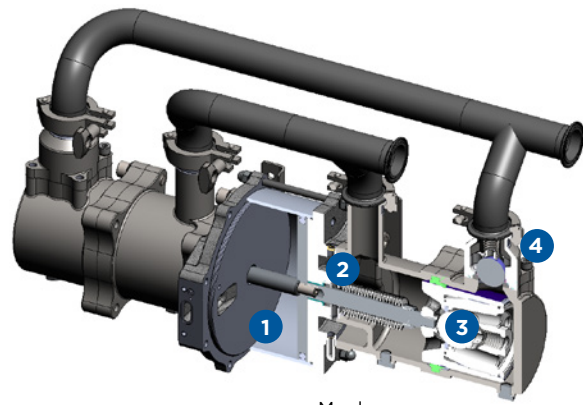
No exterior leaking seals, plus a backup seal with bellows visual leak detection ensures continued pump operation during the shift until scheduled maintenance

### 3 Smooth performance:

Equal pressure for each piston stroke and a quick changeover keeps pressure fluctuations to a minimum

### 4 Simple to maintain:

Easy access to piston seals and check valves



Maple  
7/15

## RECOMMENDED MATERIALS

- Solvent & Waterborne
- UV Cure
- Catalyst
- Moisture Sensitive
- High Solids
- Abrasive
- CARC

## TYPICAL APPLICATIONS

- Paint Circulation
- Spray Gun Applications
- Flatline Manufacturing

## BINKS MAPLE PUMP

Low-Medium Pressure



Model	Maple 15/6	Maple 7/7	Maple 7/15	Maple 8/25	Maple 15/25
Ratio	6:1	7:1	15:1	25:1	25:1
Max Fluid Pressure	304.5 psi (21 Bar)				
Fluid Output @ 60 Cycles/Min	6 gal (22.5 L)	2.6 gal (10 L)	2.6 gal (10 L)	3.2 gal (12 L)	6 gal (22.5L)
Max Cont' Cycle Rate	20 Cycles/Min*				
Max Inter't Cycle Rate	40 Cycles/Min*				
Fluid Connections Inlet Outlet	1" Sanitary 1" Sanitary	1" Sanitary ½" NPT (F)	1" Sanitary ½" NPT (F)	1" Sanitary ½" NPT (F)	1" Sanitary ¾" NPT (F)
Max Air Inlet Pressure	102 psi (7 Bar)				
Compressed Air Inlet	¾" BSPP / NPSM	¾" BSPP / NPSM	¾" BSPP / NPSM	½" BSPP / NPSM	¾" BSPP / NPSM
Air Volume/Cycle					
@ 45 psi (3.1 Bar)	0.33 SCFM (9.5 l/m)	0.17 SCFM (4.8 l/m)	0.17 SCFM (9.5 l/m)	0.7 SCFM (19.8 l/m)	1.33 SCFM (37.8 l/m)
@ 90 psi (6.2 Bar)	0.65 SCFM (18.5 l/m)	0.33 SCFM (9.3 l/m)	0.65 SCFM (18.5 l/m)	1.4 SCFM (39.7 l/m)	2.59 SCFM (73.2 l/m)
Weight	91 Lbs (45 kg)	44 Lbs (20 kg)	66 Lbs (30 kg)	88 Lbs (40 kg)	255.2 Lbs (166 kg)
Typical Applications	Paint Circulation with restricted pipework	Spray applications with hose/pipe restrictions	Aerospace & spray applications with hose/pipe restrictions	Wood, ACE	Wood, ACE

\* Refer to manual for further details

## MAPLE PACKAGES\*



### LOW PRESSURE TRANSFER OR SPRAY

Maple Wall or Cart packages are good alternatives to 3:1 diaphragm pump packages when manufacturing demands a low Mean Time Between Failures (MTBF).



### ACIDIC PAINT STRIPPER SPRAYING

Developed for the Aerospace industry, these 1 or 2 gun spray packages enable easy application of acidic paint stripper from 55 Gal / 205L drums.



### MAPLE PUMP MODULES

Pump panels that simplify the integration of a Maple pump and key accessories into circulation systems. Includes filters, valving and gauges.



### STROKE COUNTER PORT

Maple pumps are supplied with a port to which a Carlisle sensor can be connected to monitor cycle counts and other performance data.\*\*

\*Product availability varies by region. Talk to your local sales representative.

\*\*Requires third party support to log and display data.



### BINKS 5-YEAR WARRANTY

Binks® warrants to the original end-use purchaser that Binks branded products shall not fail under normal use and service due to a defect in material or workmanship within five (5) years from the date of shipment from Binks. Does not include normal wear and tear parts.

## The brands you trust

Carlisle Fluid Technologies, a wholly-owned subsidiary of Carlisle Companies Incorporated, is dedicated to providing customers industry-leading solutions for the supply, control, application and curing of a wide range of paints, powders, sealants, adhesives and other application materials. From manual finishing equipment, to highly automated mass-production installations, the company solves customers' material application challenges through the combination of product innovation and decades of technical expertise. Focused on efficient, cost-effective global solutions for the transportation and other industrial markets, the company offers an expanding collection of pioneering product brands - BGK™, Binks®, DeVilbiss®, Hosco®, ms® and Ransburg®.

## Let's start a conversation

We want to work together to help answer your application challenges. To learn more about what we can offer, visit our website at [CarlisleFT.com](https://www.CarlisleFT.com) or call us today.



[youtube.com/CarlisleFluidTechnologiesGlobal](https://www.youtube.com/CarlisleFluidTechnologiesGlobal)



[@CarlisleFT](https://twitter.com/CarlisleFT)



[linkedin.com/company/Carlisle-Fluid-Technologies](https://www.linkedin.com/company/Carlisle-Fluid-Technologies)



North America  
EMEA  
China  
Japan

1.800.992.4657  
44.0.1202.571111  
86.21.33730108  
81.45.785.6421

marketing@carlisleft.com  
marketing-eu@carlisleft.com  
mkt\_cn@carlisleft.com  
jp-rans-tokyosales@carlisleft.com



[Carlisleleft.com](https://www.Carlisleleft.com)

©2021 Carlisle Fluid Technologies, Inc. | Models and specifications subject to change without notice.  
All rights reserved. | Form No. 03-273-01